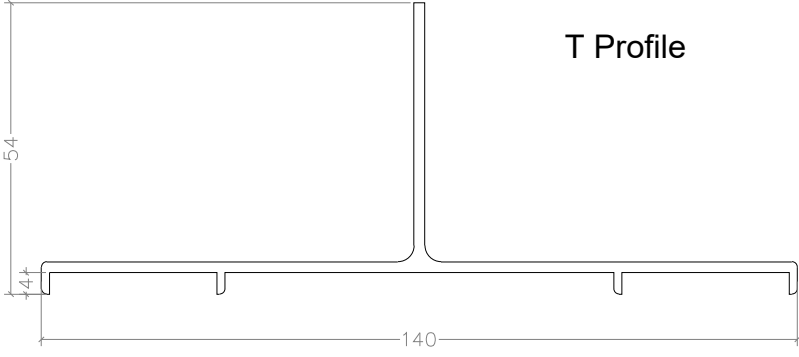
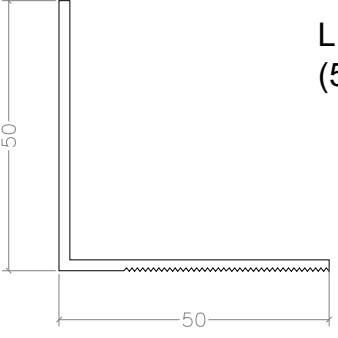
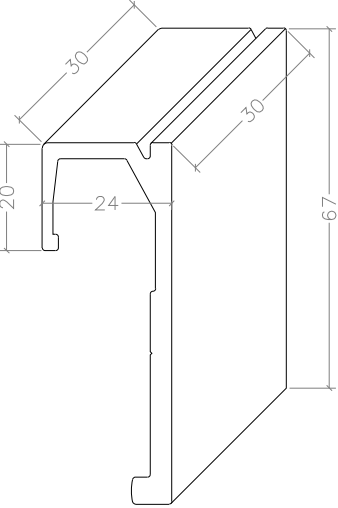
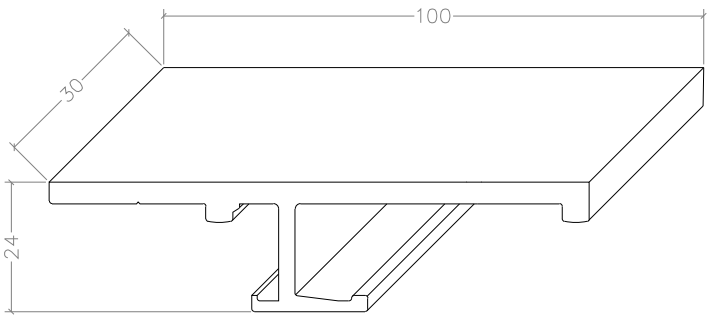
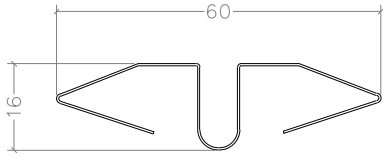
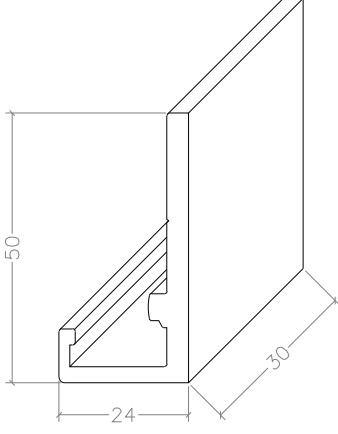
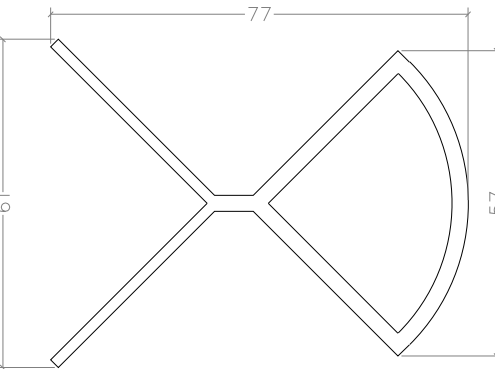
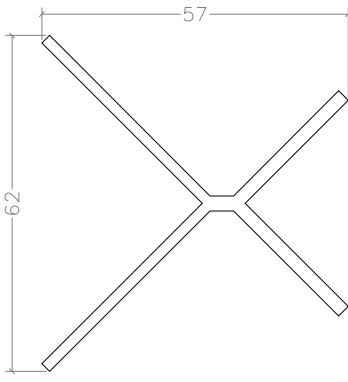
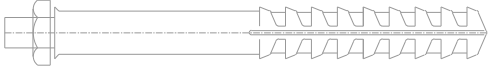




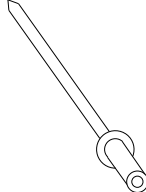
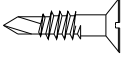
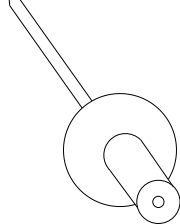



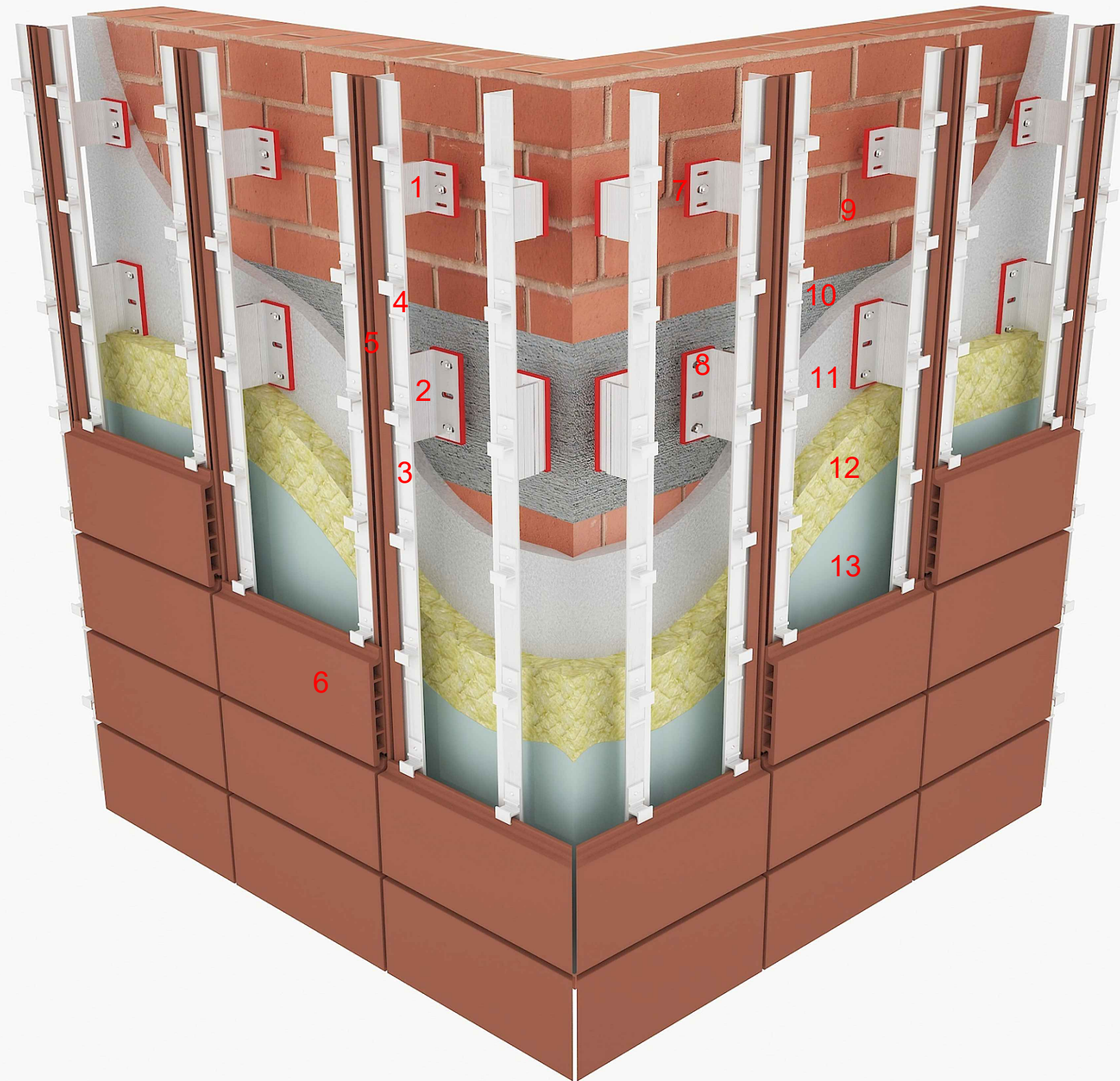
code	profile	profile features	code	profile	profile features
TP01		T Profile	LP01		L Profile (50x50)
KL01		Top Clip	KL02		Intermediate Clip
FP01		Joint Profile	KL03		Bottom Clip
KP01		Corner Profile	KP02		Corner Profile
		Plastic Dowel			Steel Dowel



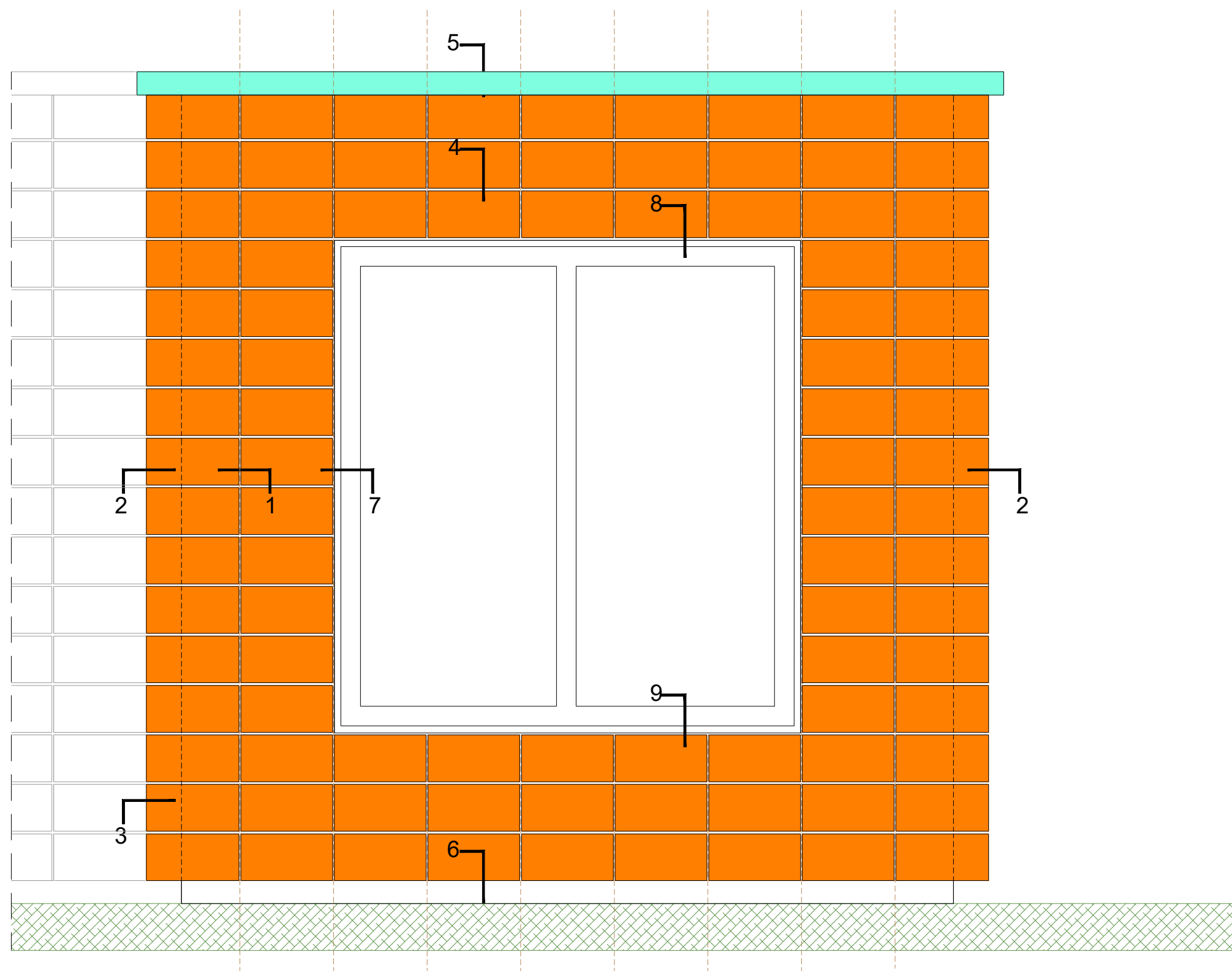
TERRACOTTA - DOUBLE SKIN SUPER PLUS (VERTICAL)

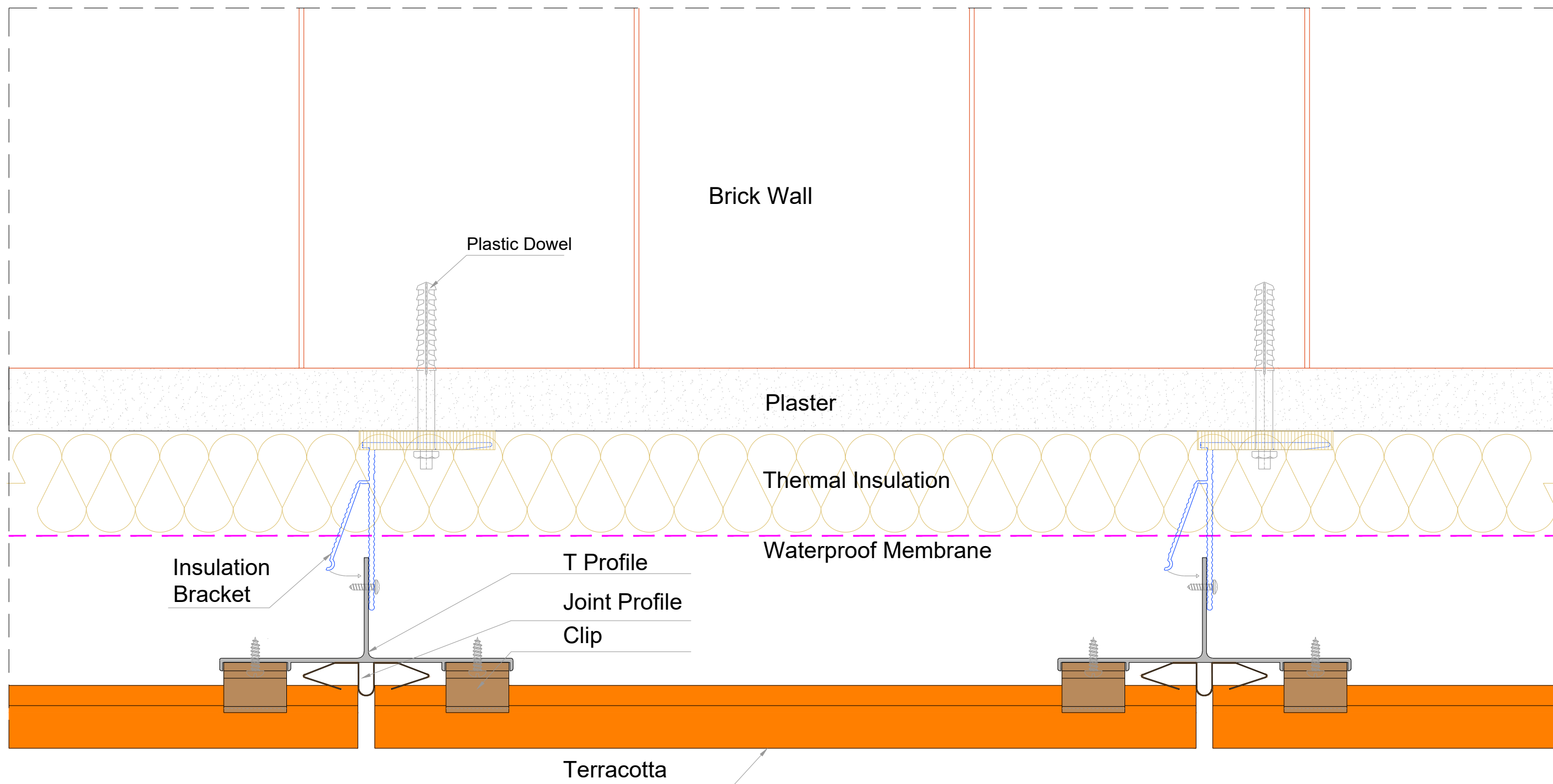
SYSTEM AGS 02

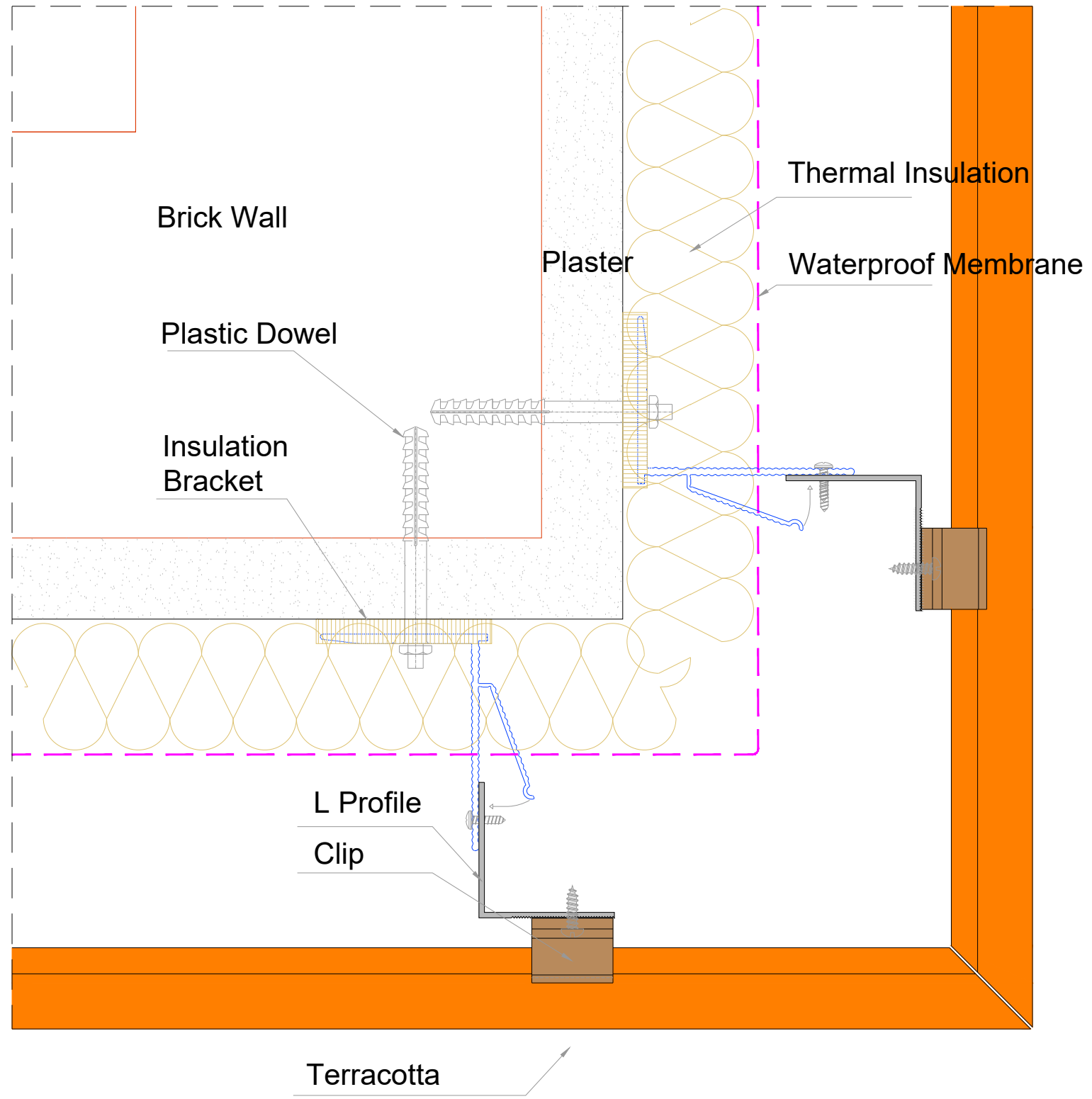
code	profile	profile features	code	profile	profile features
	 AKB 5,5x25 (M.U.V)				
	 3,9x19 YHB (M.U.V)				
	 3,9x19 YSB (M.U.V)			4x10 Rivet	4,8x25 Rivet (Supply by requested ral code)

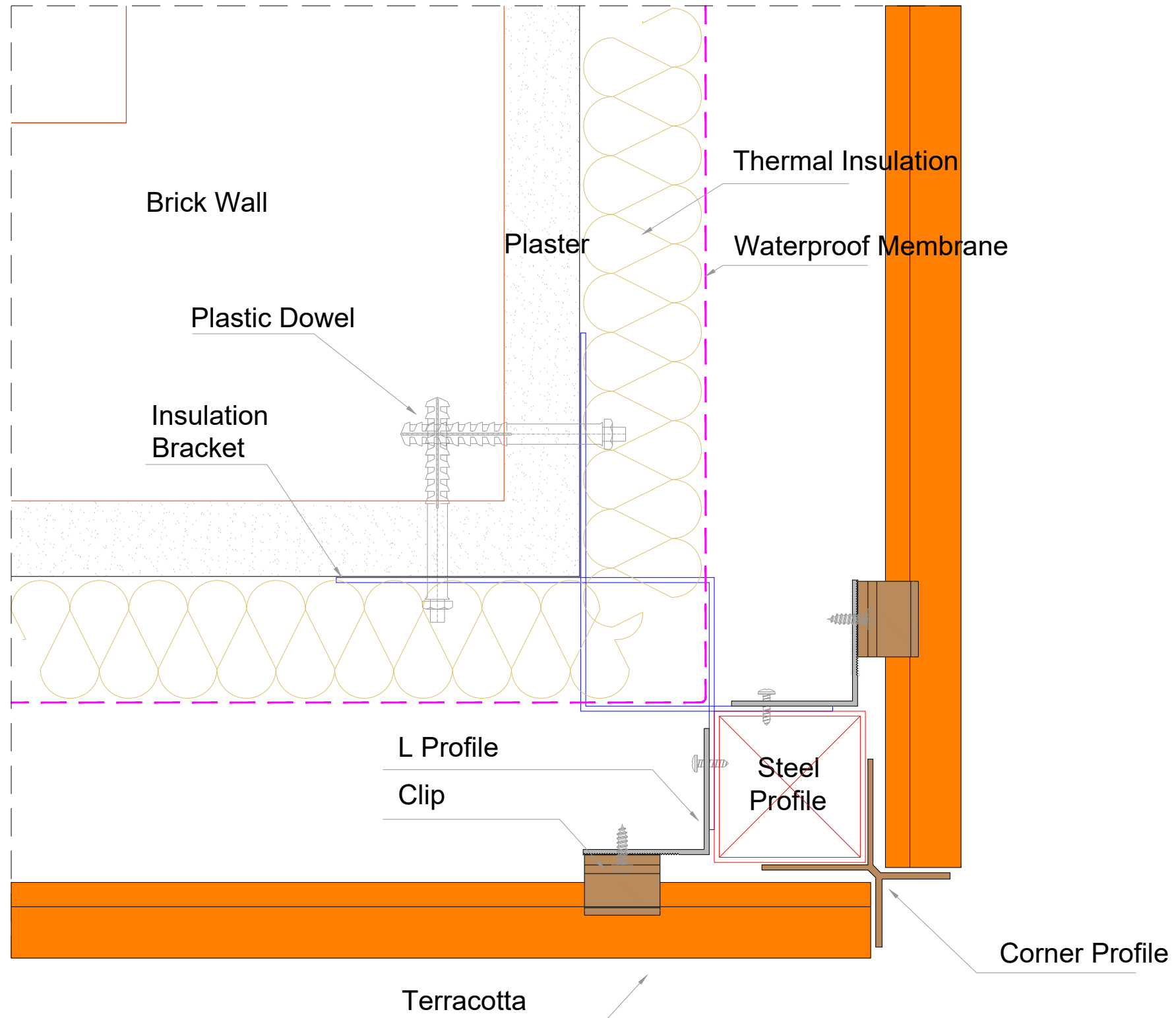


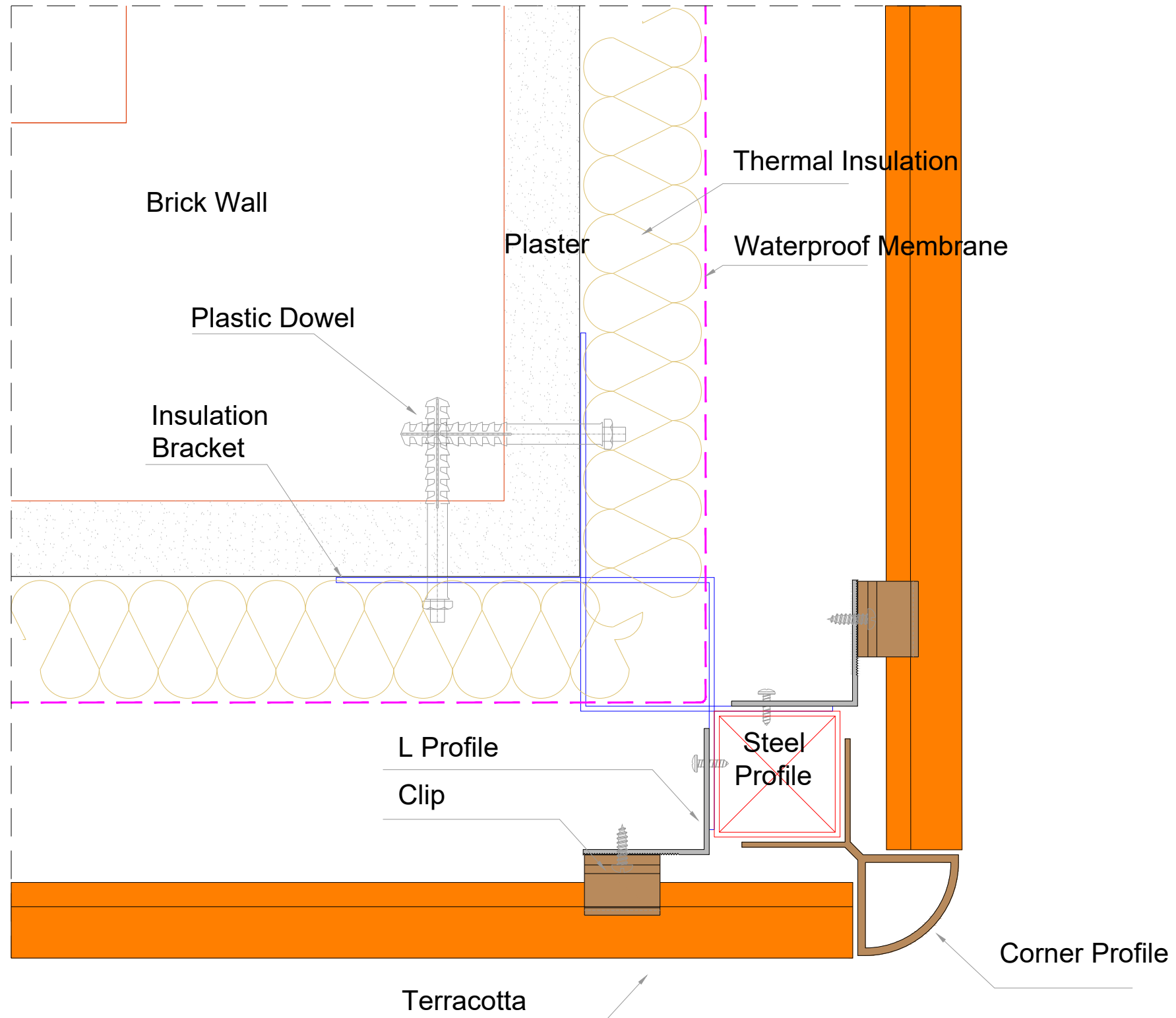
1. IZOFIX SUPPORT BRACKET
2. IZOFIX MAIN BRACKET
3. T PROFILE
4. INTERMEDIATE CLIP
5. JOINT PROFILE
6. TERRACOTTA
7. PLASTIC DOWEL
8. STEEL DOWEL
9. BRICK BLOCK
10. CONCRETE BEAM
11. PLASTER
12. THERMAL INSULATION
13. WATERPROOF MEMBRANE

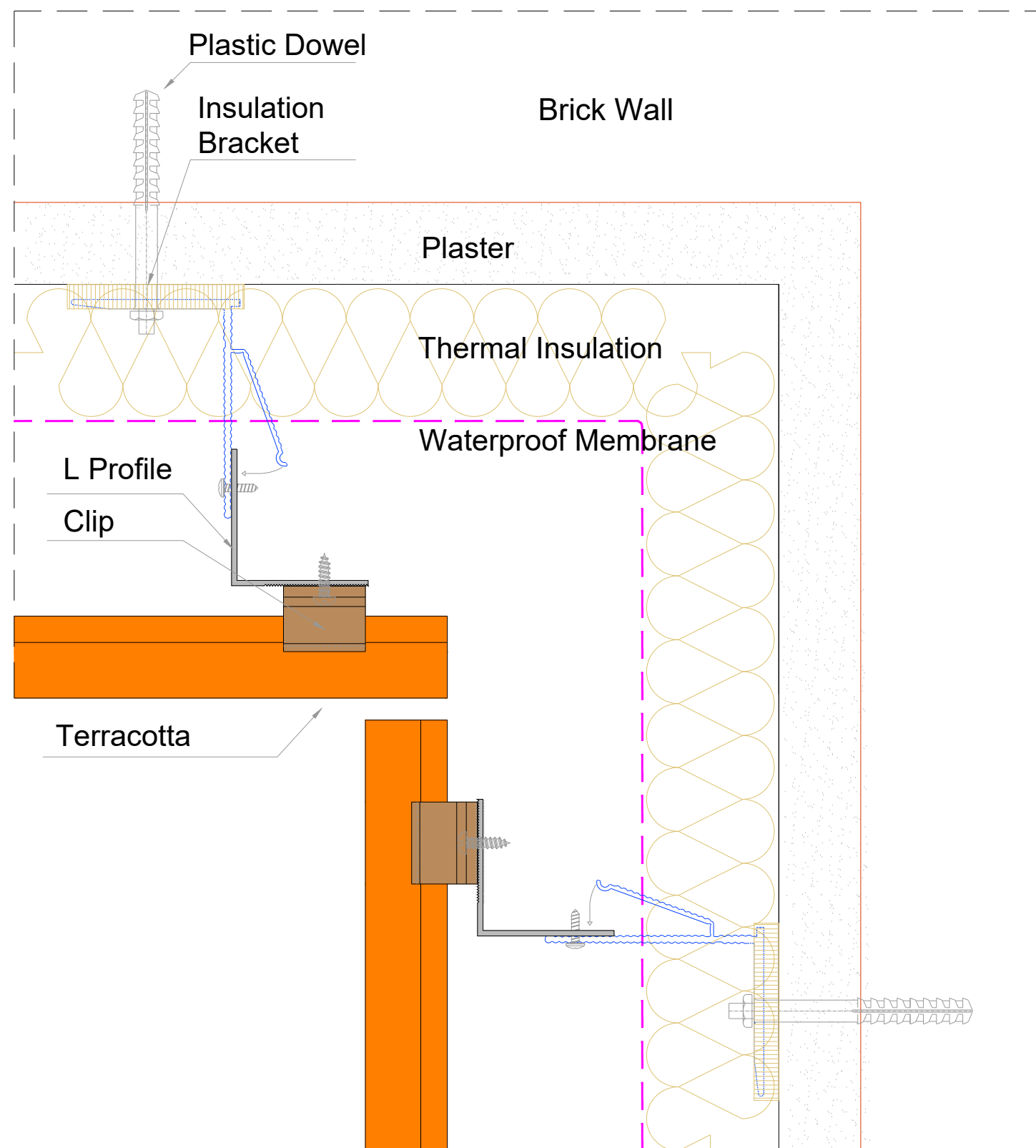


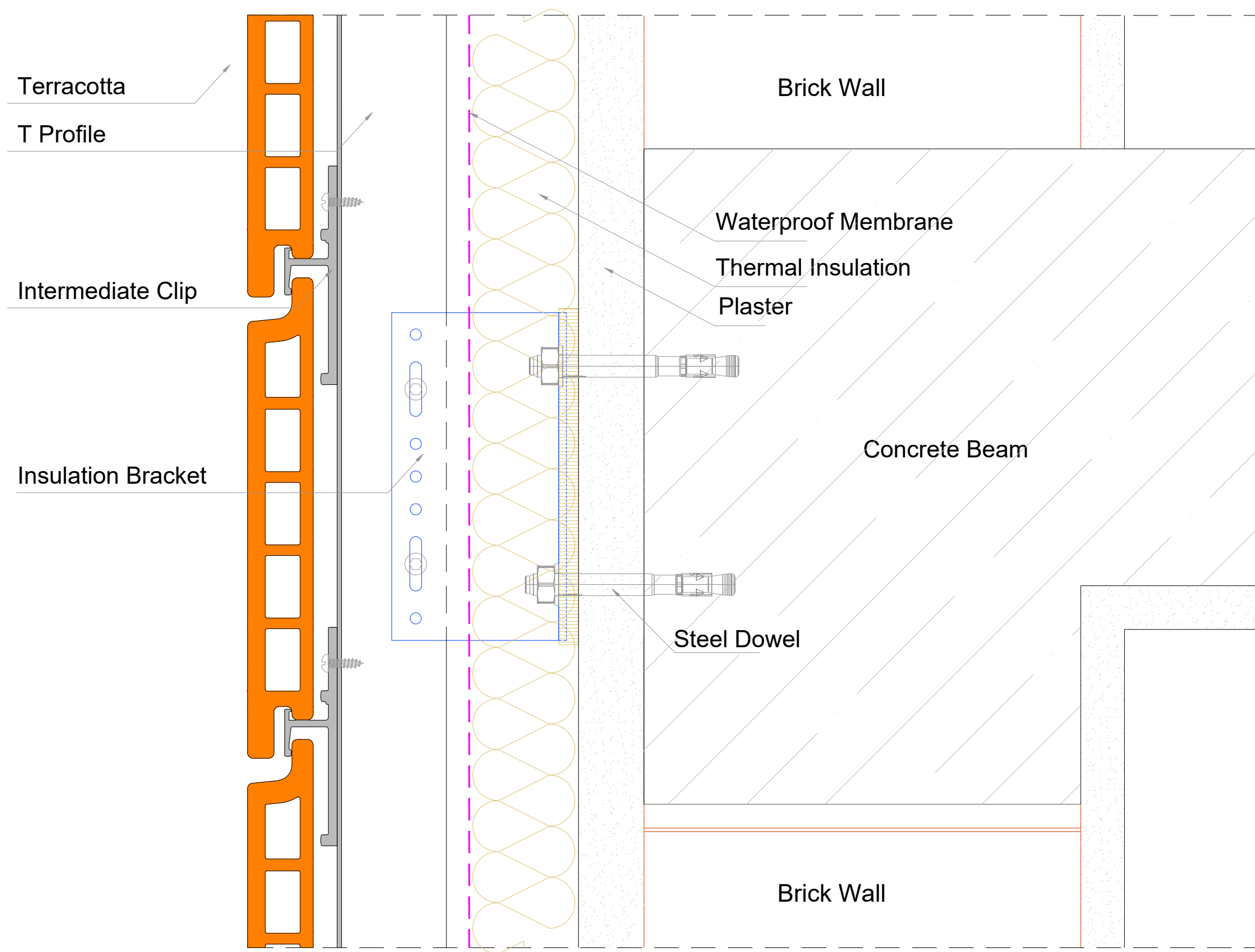


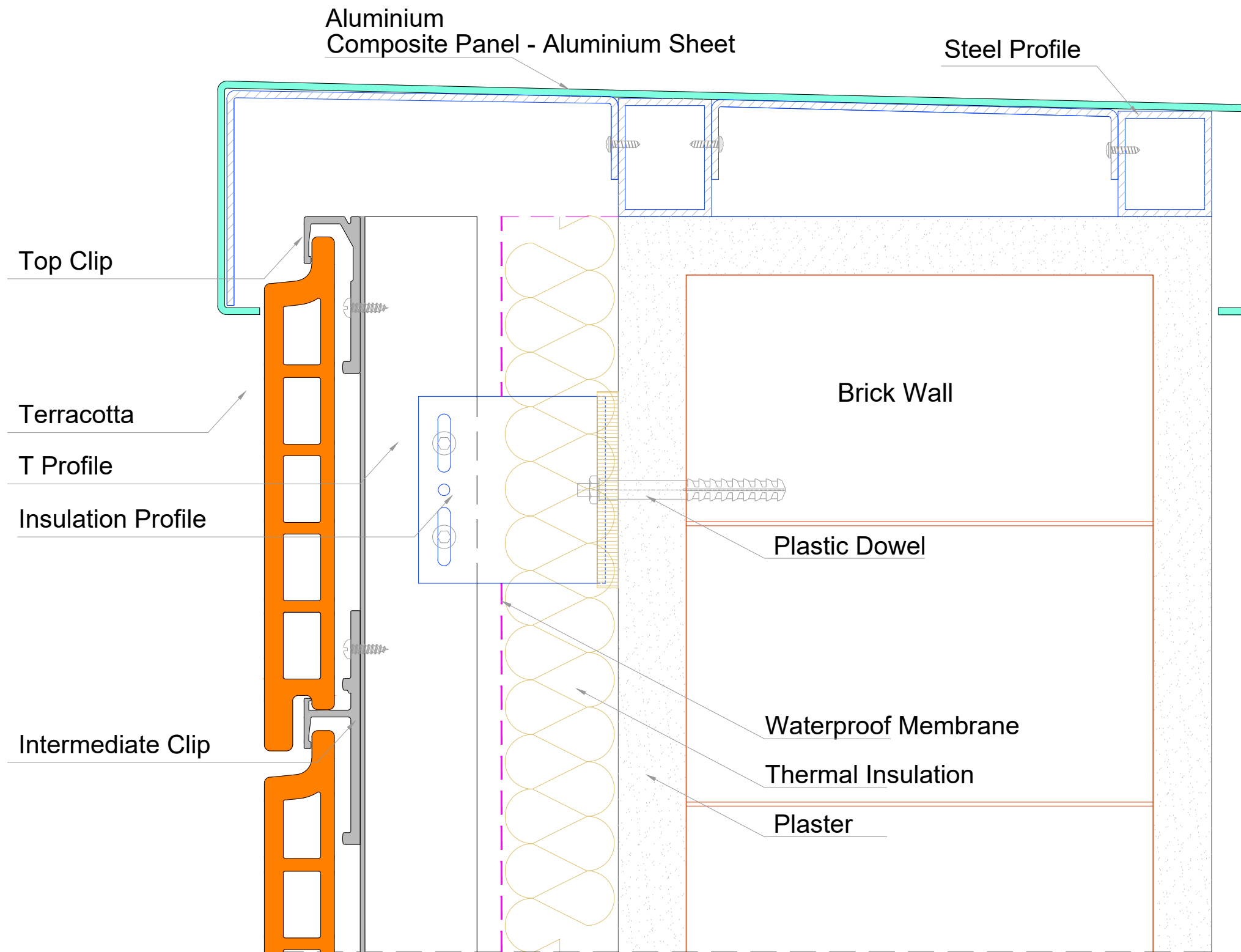


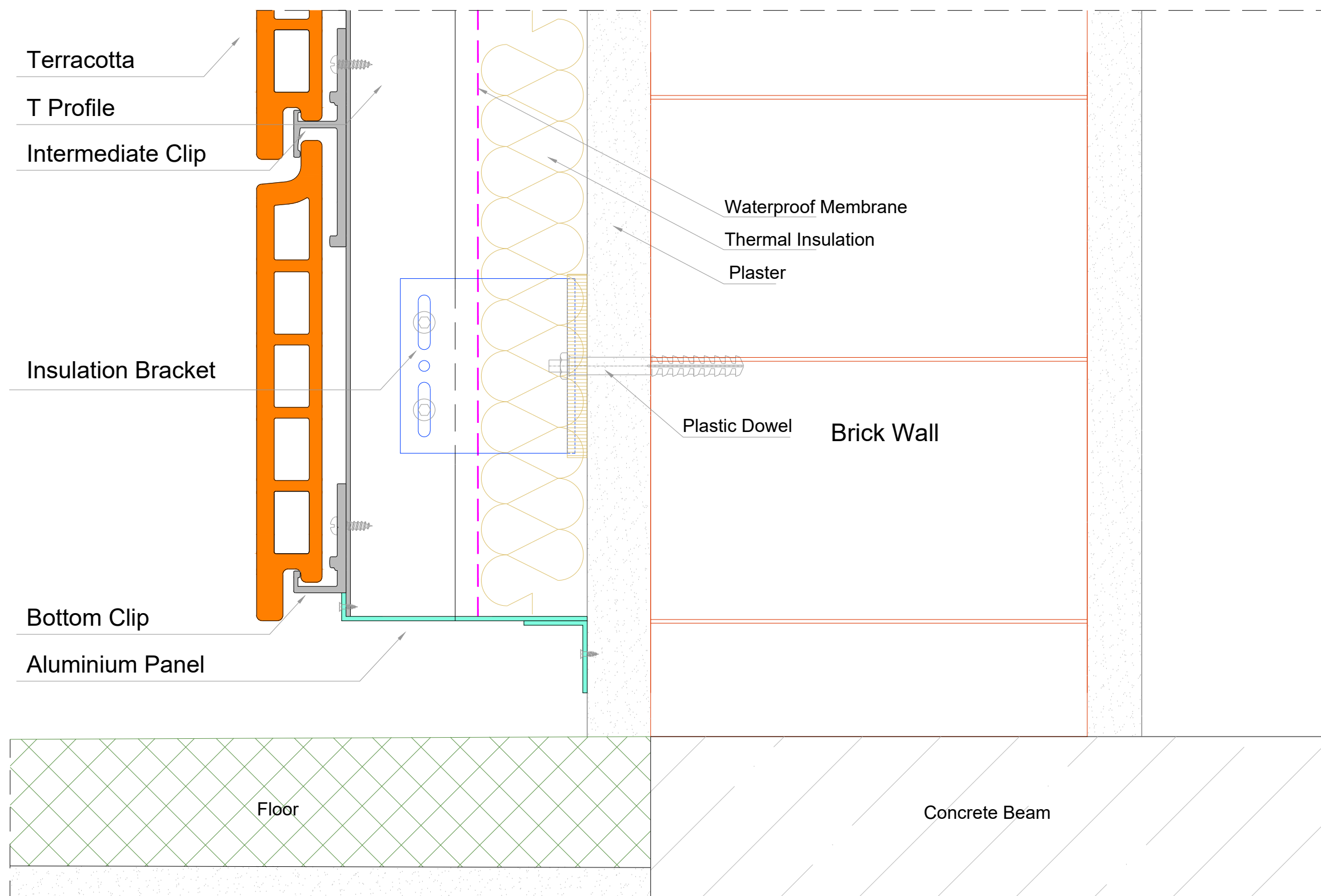


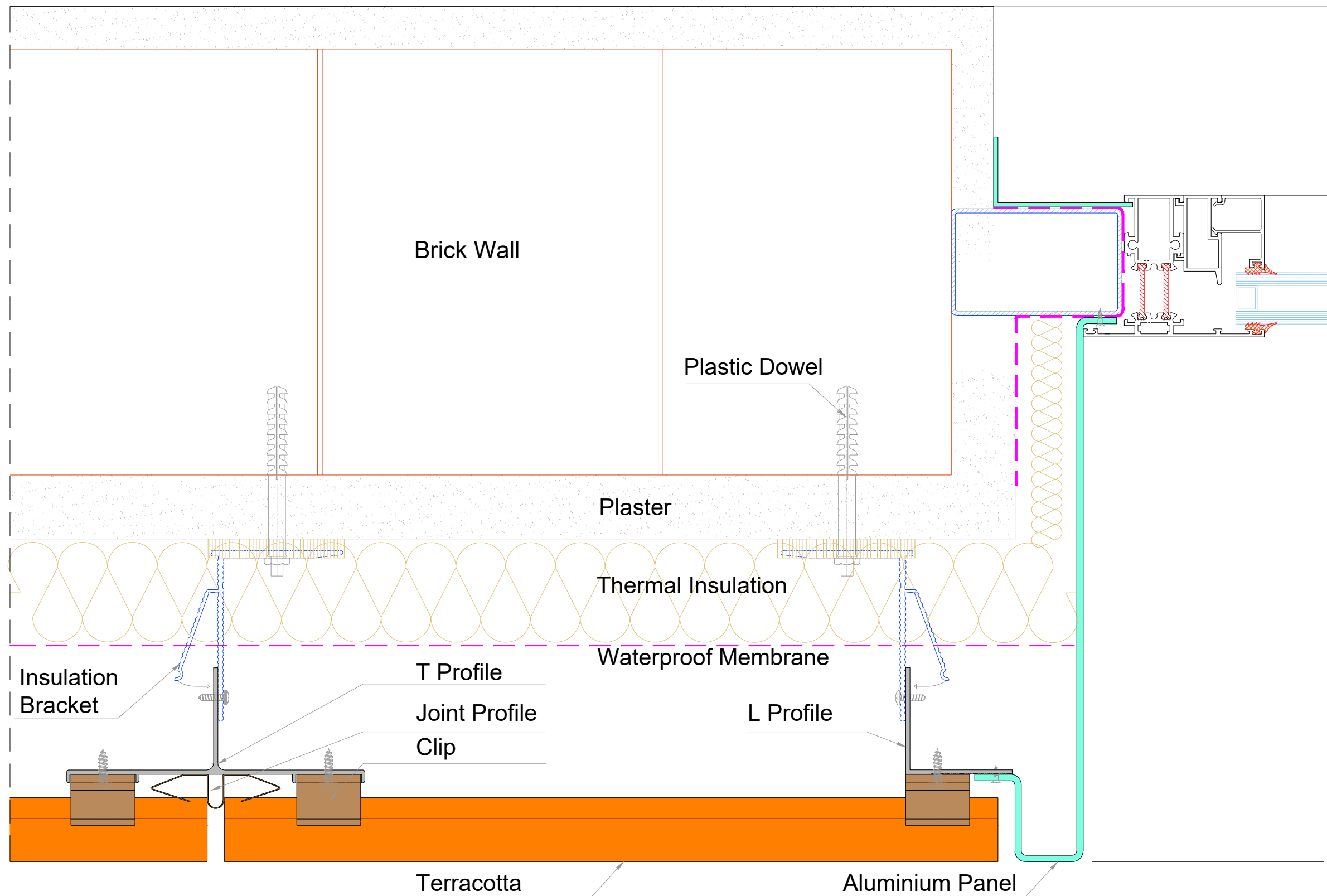


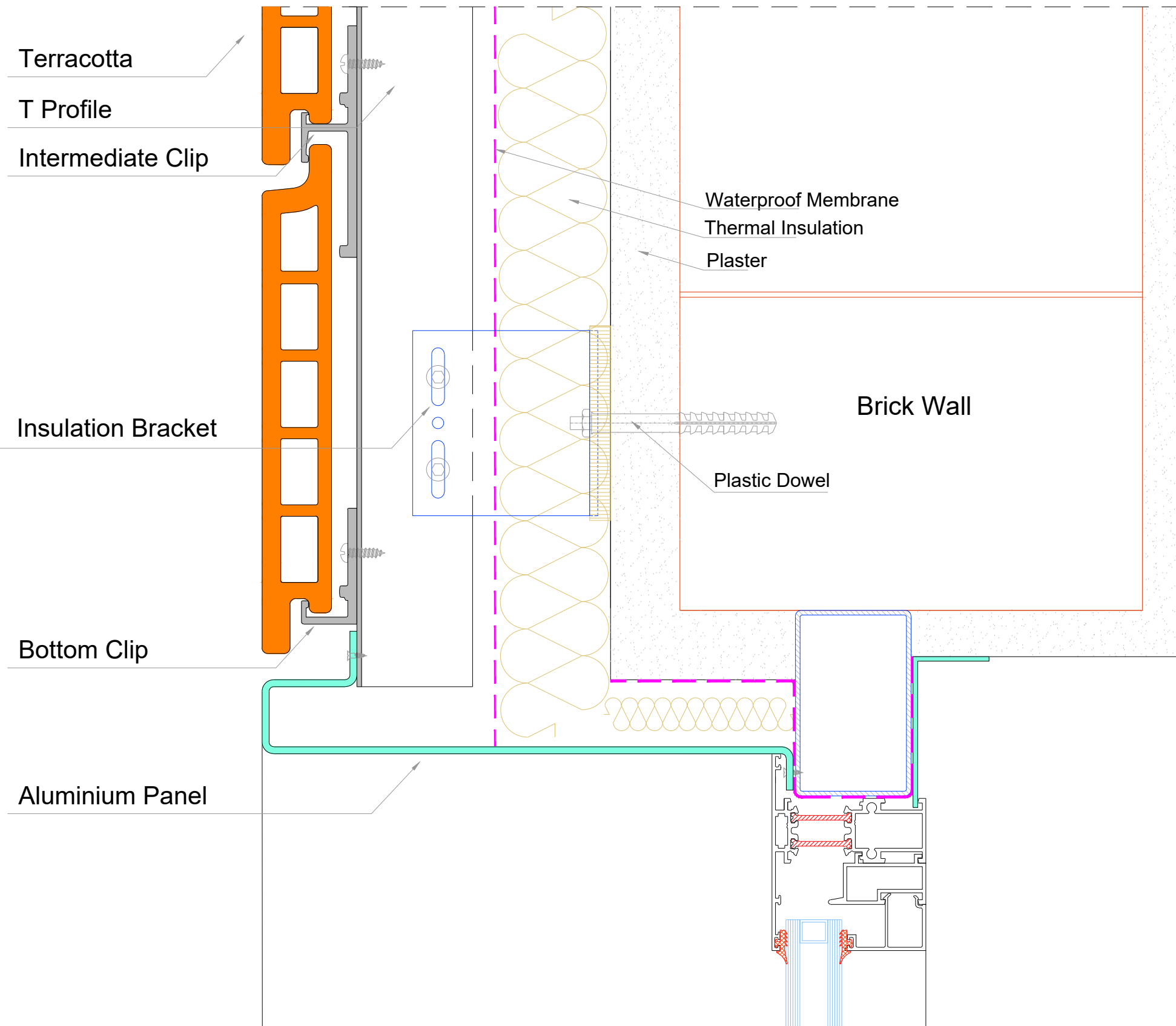


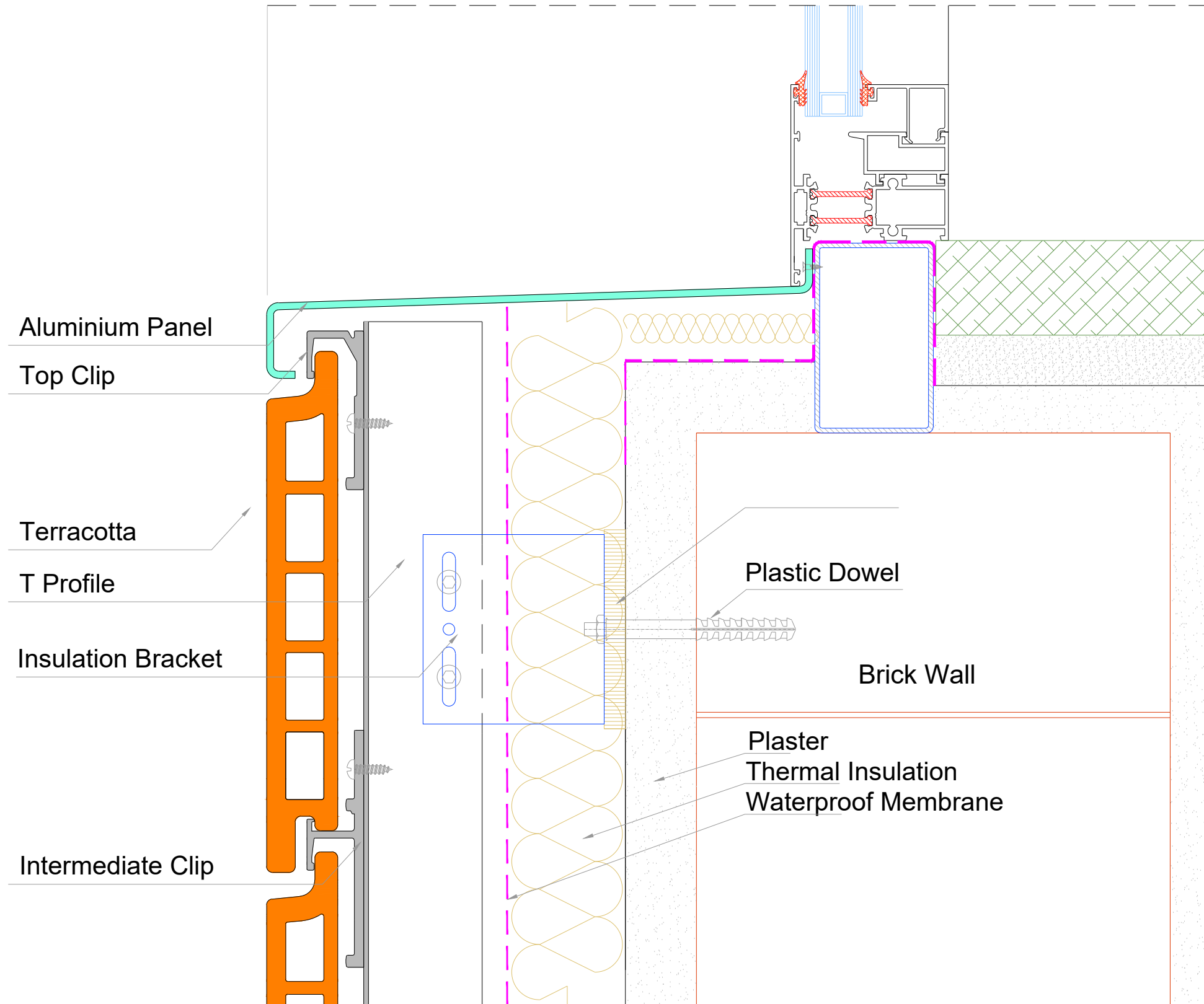


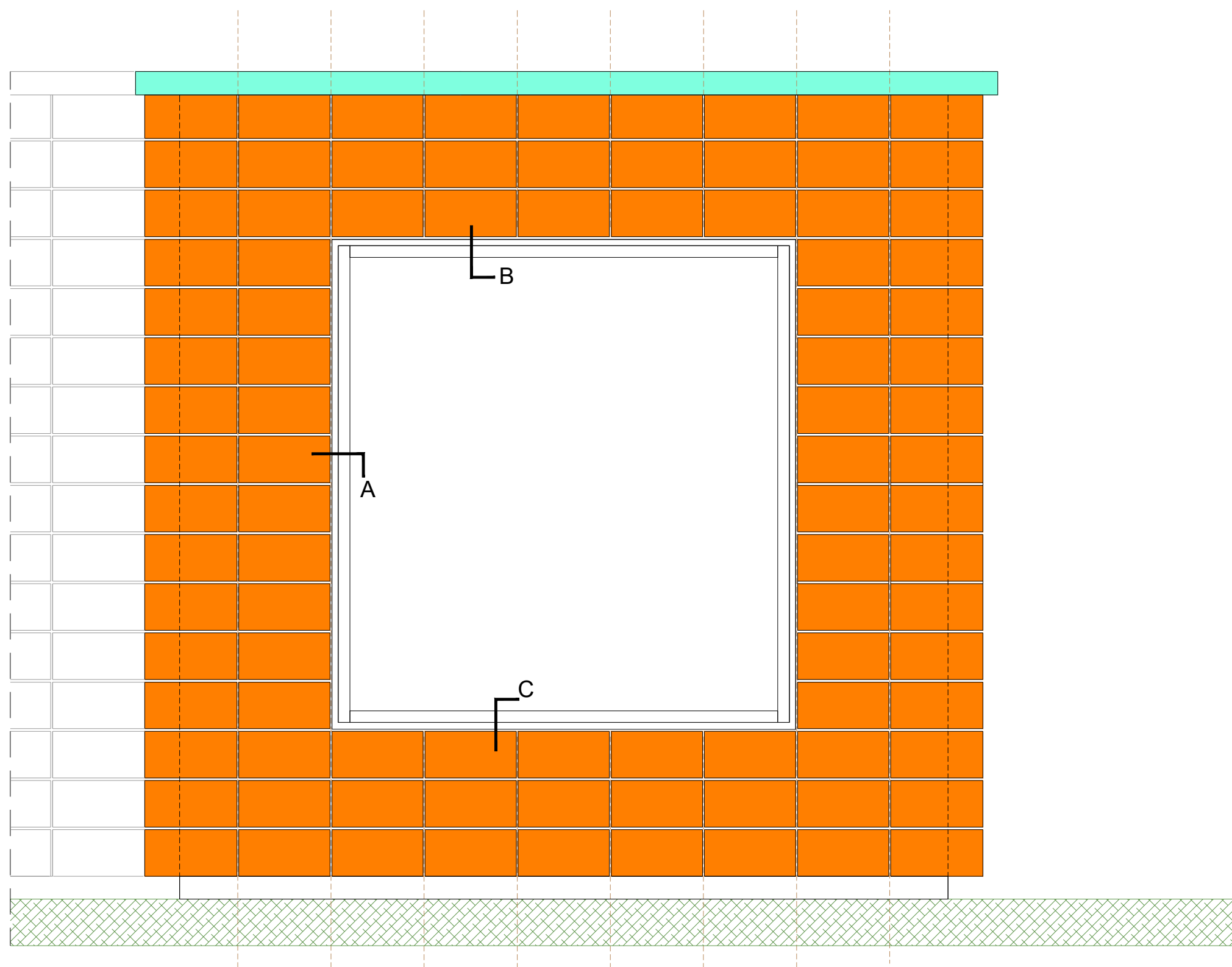


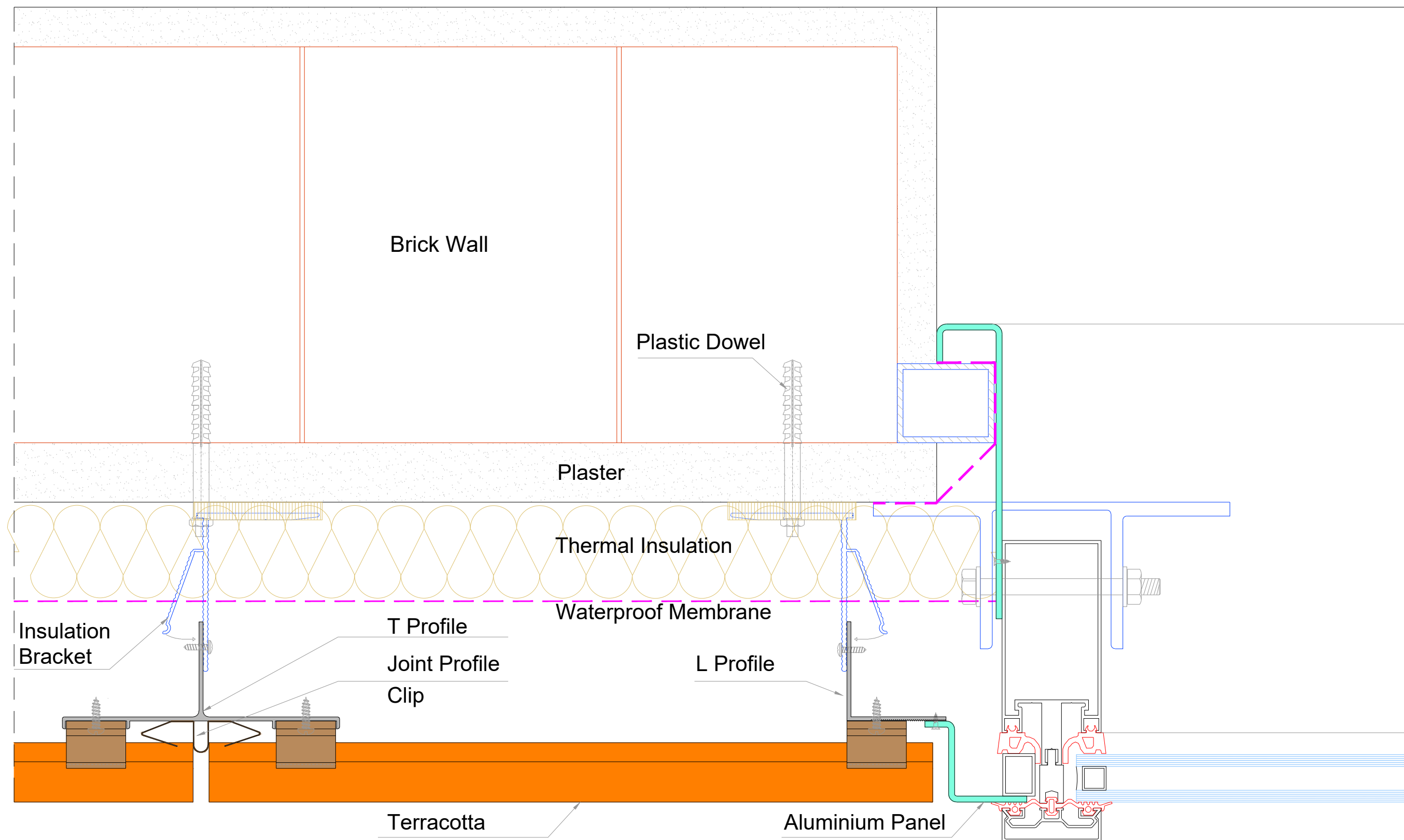




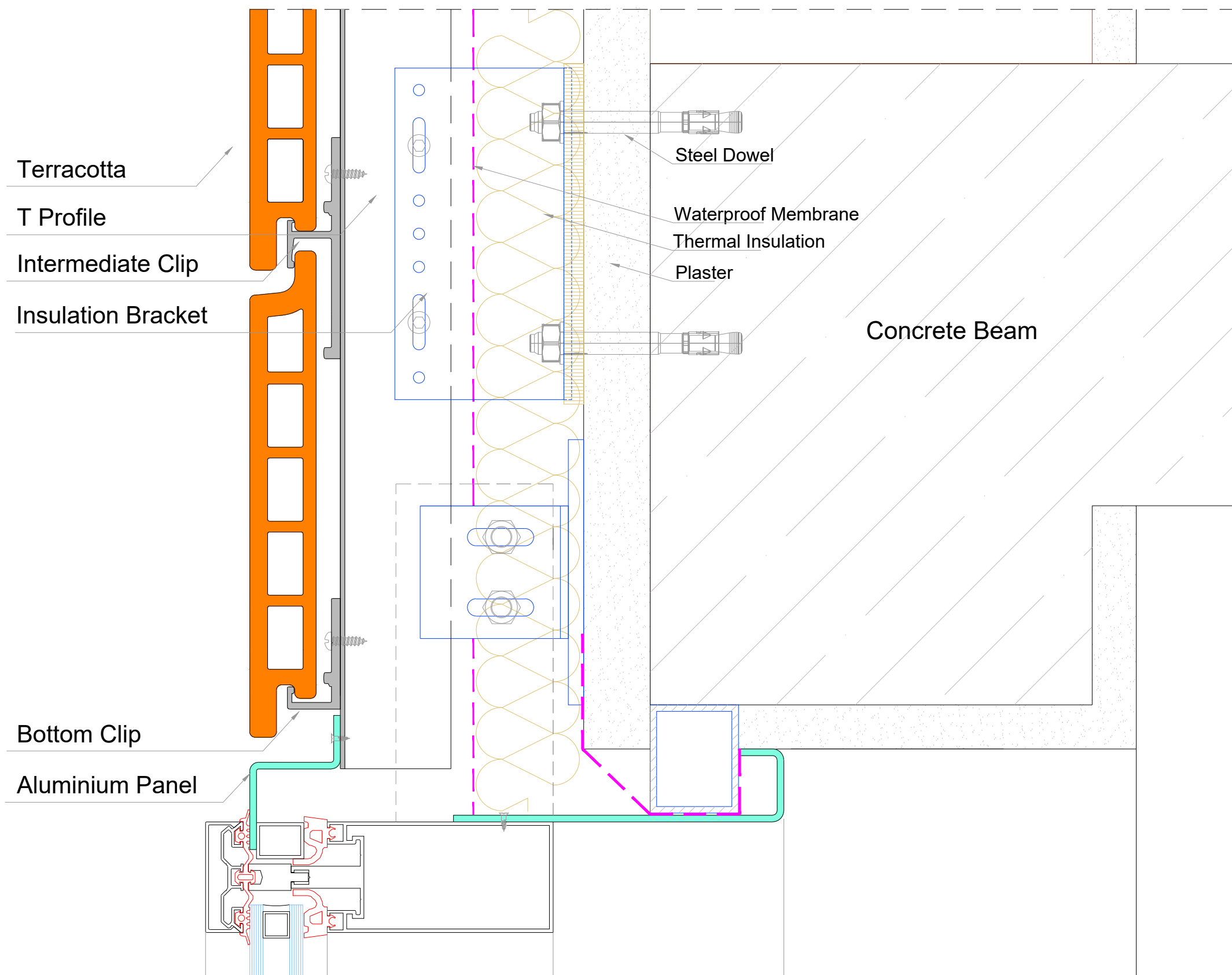




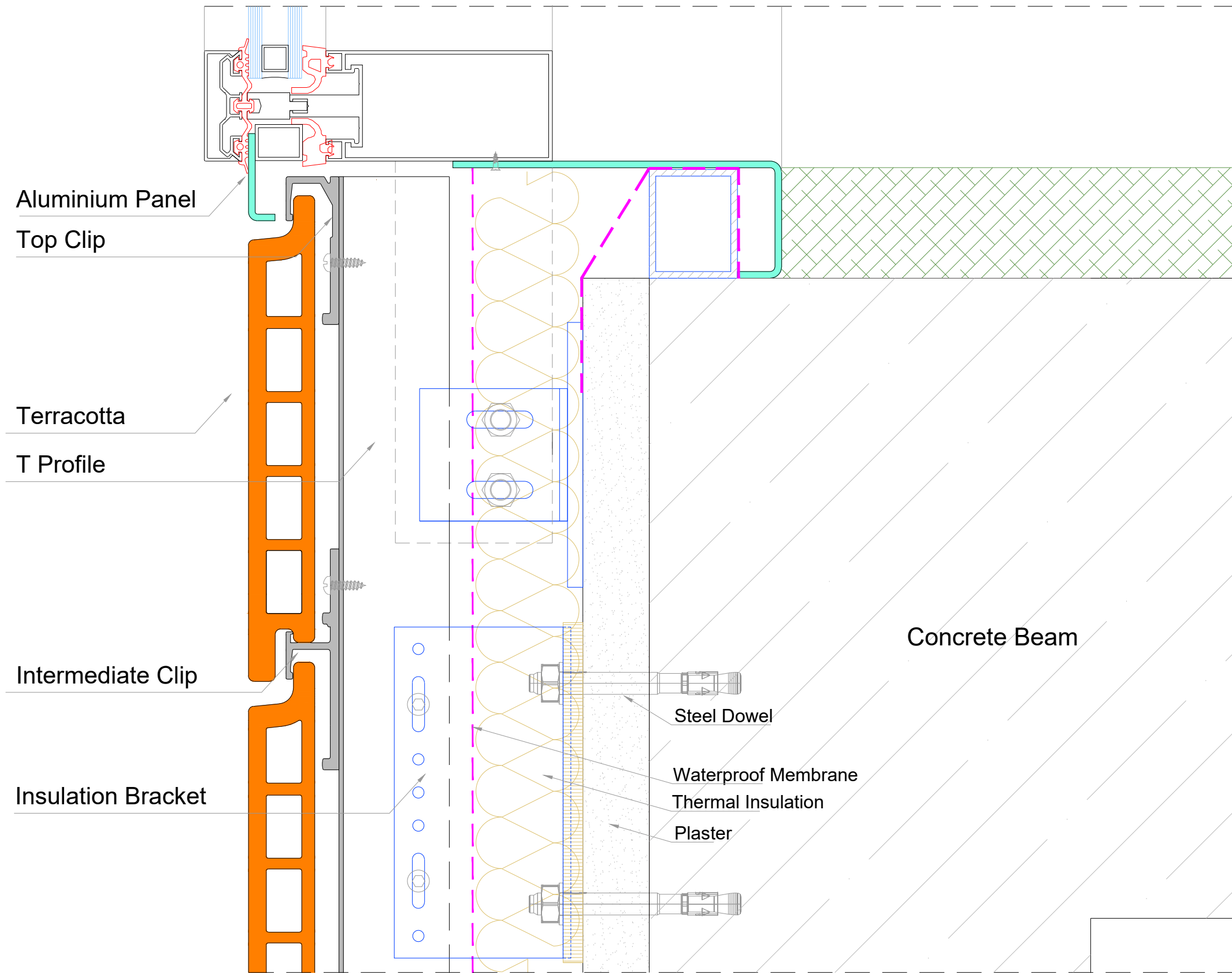




DETAIL A



DETAIL B



DETAIL C